



# SERIES UQLXN500-SQ QUICKIE II

TYPE: \_\_\_\_\_  
CATALOG #: \_\_\_\_\_  
NOTES: \_\_\_\_\_



## Thermoplastic LED Combination Unit

### TWO NEW UNITS

- **Combination Unit Red with Remote capacity and ID**
- **Exit with Remote Capacity and ID**



The **UQLXN500-SQ** Programmable Series confronts job site mounting situations “head-on”. The fully adjustable SQ heads can be configured for top mounted, side mounted, or anywhere in between without disassembly or re-wiring.

### UL Listed

Complies with NEC, Life Safety Code and OSHA.

### Light Source (exit)

- LED, Light Emitting Diodes, red LED's of ALINGAP technology

### Sealed Maintenance Free Batteries

- Lead-Calcium

## Electrical Features

### ■ Electrical

- 120/277VAC dual voltage operation
- Low power consumption - LED's
- LED indicator light and push button test switch
- Remote capacity - may power additional remote heads (up to 6V 12W) with additional battery
- Low voltage battery disconnect
- All models are damp location listed

### ■ Lamps

- LED's mounted on print circuit board (for exit sign)
- LED lamps are operated in normal (AC input) and emergency (DC input) modes.
- 2 x 6V 5.4 watts DC T5 wedge base lamps for emergency mode

### ■ Battery

- Sealed maintenance-free lead-calcium battery
- Additional battery available for 12 watts remote load or extended unit run time (see How To Order).

## Features

### ■ Reliability

- The Quickie II QLXN500-SQ series has a three-year full warranty (excluding lamps, pilot lights and fuses)

### ■ Housing

- Injection-molded UV stabilized thermoplastic housing, face plates, and canopy
- UL 94, 5Va flame rating
- Innovative, snap-together design allows for fast installation
- Replaceable directional chevron inserts are easily removed and reinserted
- Two faces, backplate, and canopy
- Two fully adjustable glare-free SQ light heads for egress light

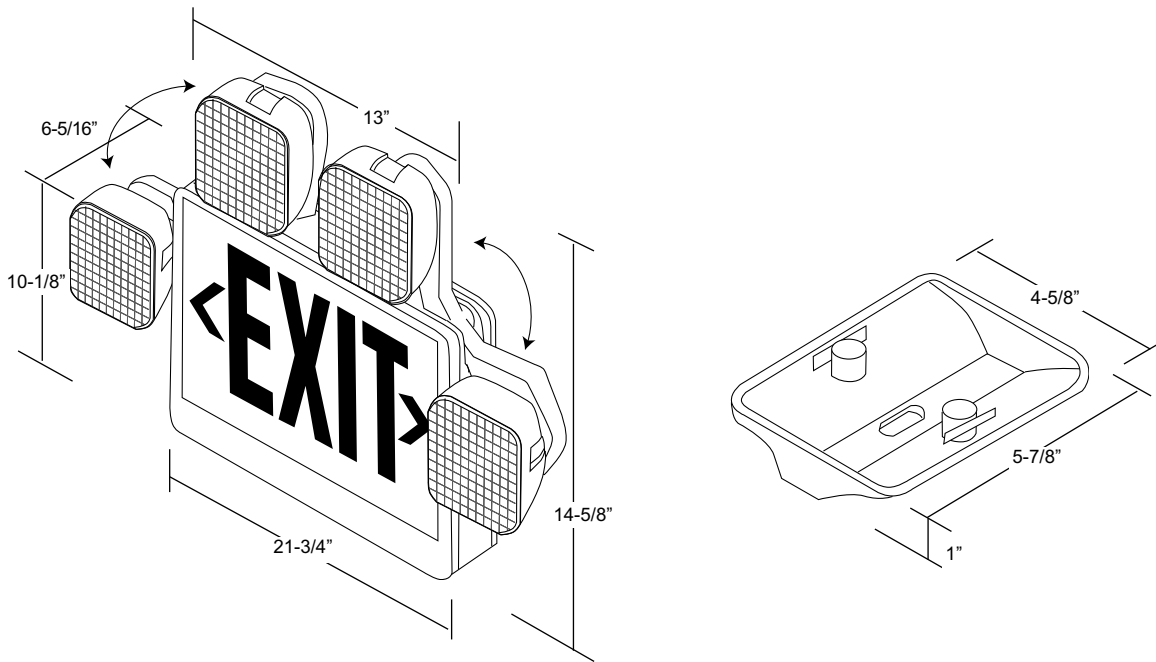
### Mounting

- Wall or ceiling mounting
- Canopy snaps to housing with a twist-lock feature tightly securing the canopy to the housing

### Emergency Models (exits)

- Replaceable, sealed Nickel-Cadmium battery
- Provides a minimum 90 minutes of continuous emergency illumination
- Energy star compliant
- Batteries recharge per UL924 specifications
- All exit sign models consume less than 5 watts
- Energy Star Compliant - consumes less than 2.5 watts

# Specifications For Series "UQLXN500-SQ QUICKIE II"



## Specification

### LED Exit Combination

The contractor will install the Lightalarms Combination Series.

The Exit Combo shall be suitable for wall or ceiling mount. The face shall be constructed of a durable high impact thermoplastic. No screws are necessary to hold the face plate or canopy to the housing. Snap-together design allows for quick installation. The face plate shall be constructed of a one-piece thermoplastic mold. This combination unit shall be 120/277Vac compatible and be UL 924 listed. Emergency lights can be adjusted for side-mounting or top mounting. The unit will stay illuminated during emergency mode for a period of 90 minutes.

## Optional Features

### Description

\*Remote Capacity (in watts) .....R

### Accessories (order as a separate item)

Wire Guard (heads in any position) .....WG10  
 Replacement battery .....860.0004  
 Replacement lamp (standard) .....570.0012

### \*Unit Warranty:

Entire unit (excluding lamps and fuses) carries a 3-year full warranty.

### \*Battery Warranty:

Unit batteries are warranted as follows:

**Lead Calcium** (combination and emergency lighting unit) 3 years full warranty; 3 years pro-rata warranty

**Nickel-Cadmium** (exit sign) 5 years full warranty; 5 years pro-rata warranty

\*Subject to proper installation.

## Ordering Information

Series	Stencil Face (letters)	Light Heads	Capacity Indicator	Options
UQLXN500= self-powered	R= red	-0*= Combo no heads	Blank= no remote capacity	-ID= Improved diagnostics for remote capacity
	G= green	-2SQ= lamp standard 6V 6W	R= 12W remote capacity*	
		*only available with Remote Capacity ID and red stencil		Only available with Remote Capacity and red stencil

## Ordering Options

UQLXN500R-2SQ	UQLXN500G-2SQR
UQLXN500R-0R-ID	UQLXN500R-2SQR-ID
UQLXN500G-2SQ	UQLXN500R-2SQR



All information and specifications contained in this flyer are subject to change due to engineer design, errors and omissions.

Illustrations and diagrams within this flyer may vary from actual product.

2009© Thomas & Betts Limited. All rights reserved.

Printed in Canada. 10/09/1000. Order n°. LA/UQLXN500-SQ SPECSHEET

**Thomas & Betts**